

WARNING

Please read and understand these instructions completely before installation to avoid possible injury to yourself, or damage to the accessory or vehicle.

CAUTION:

- This installation should be performed by an authorized Yamaha dealer or a qualified mechanic. Some components require information from the model's service manual for proper installation or adjustment. Be sure to have the service manual on hand, if necessary, before proceeding with the installation.
- Alteration of emission-related components constitutes tampering under Federal and State laws and can lead to substantial fines and penalties if used other than in closed-course competition.
- Engine-related competition parts are intended for closed-course racing applications only.

DEALER:

These instructions contain important information for future reference and *must* be given to the customer.

WARRANTY INFORMATION:

- Genuine Yamaha accessories are covered by a 90-day warranty against defects in material or workmanship. Labor for replacement of defective components is not covered. See your Yamaha dealer for a copy of the warranty statement.
- The Limited Warranty provided with new Yamaha vehicles has exclusions for certain failures, including those caused by competition or racing use (except YZ and WR motorcycle models) as well as by abnormal strain or abuse. While installation of these components will not "void" your vehicle's warranty, specific failures adjudged by Yamaha to have resulted from the installation of accessory components or other modifications, or from competition use (except YZ and WR motorcycle models), may not be covered by warranty or Yamaha Extended Service.

PARTS LIST:
REQUIRED PARTS NOT INCLUDED IN THIS KIT

This accessory requires;

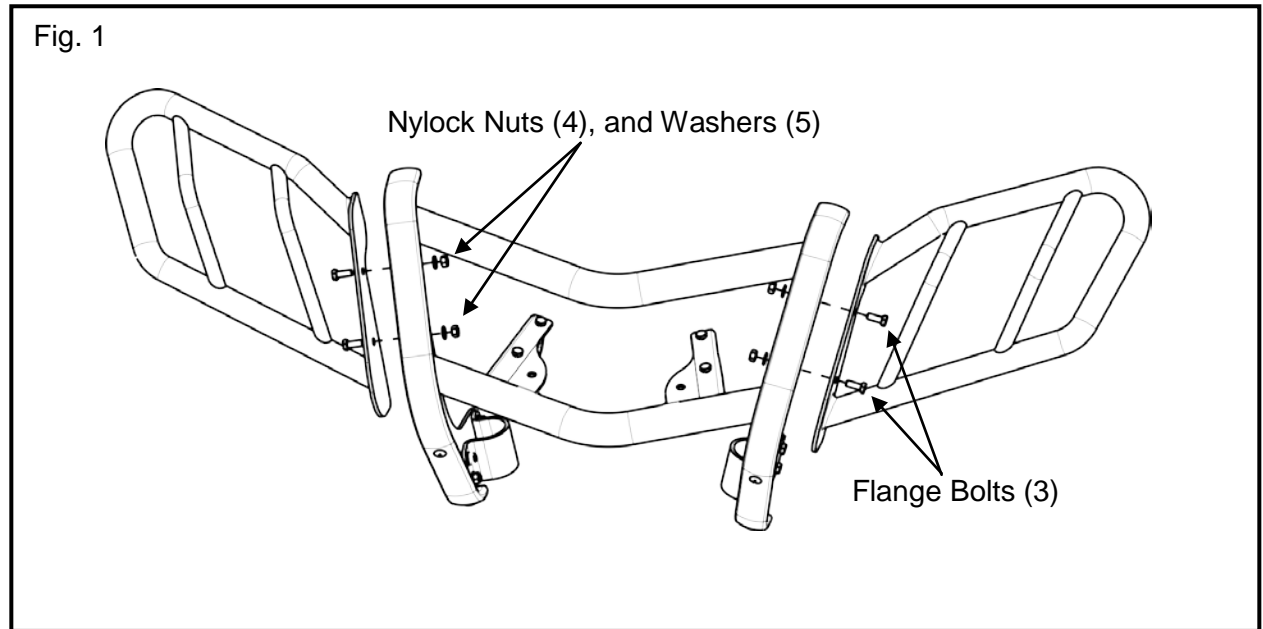
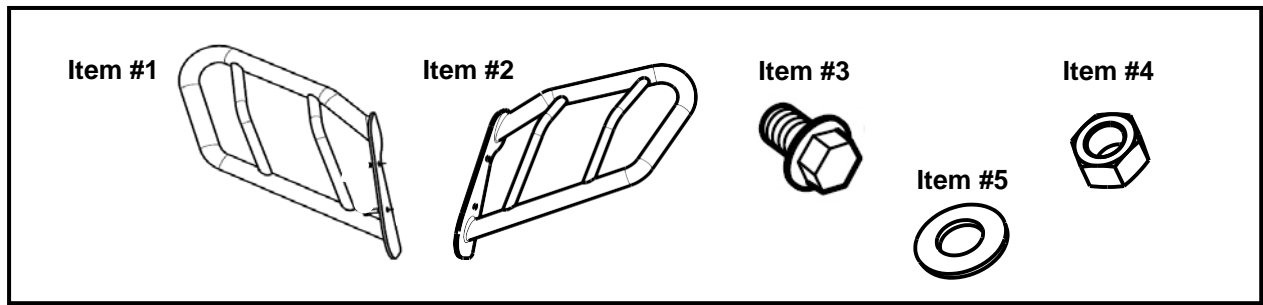
Heavy Duty Brush Guard Pt # **1XD-F84L0-V0** sold separately

See your Yamaha dealer for more information.

This kit contains the following components. Before beginning installation confirm there are no missing or damaged components.

Item #	Part Number	Description	Qty
--	1XD-F84L0-T0	Headlight Brush Guards	--
1	*	Right Side Headlight Guard	1
2	*	Left Side Headlight Guard	1
3	*	Flange Bolt M8 x 1.25 x 20 mm	4
4	*	Nylock Nut	4
5	*	Washer	4

* Part supplied with kit only and not available separately.



PREPARATION:

1. Place vehicle on a secure and level surface.
2. Set the parking brake.

INSTALLATION:

1. Locate the right hand side headlight guard (1) and fit it to the heavy duty brush guard as shown in (Fig. 1) using the flange bolts (3), washers (5), and the nylock nuts (4).
2. Repeat the step above for the left hand side headlight guard and torque all nylock nuts to 25 Nm (2.5 m • kg, 18 ft • lb).

MAINTENANCE:

Periodically check all fasteners for tightness and re-torque as required.

CARE AND CLEANING:

Wash using a mild soap and water solution and soft cloth.

CUSTOMER SERVICE:

For further information see your Yamaha dealer.

ESTIMATED TIME TO INSTALL: 0.1 HRS